

Manual lever rope winch ATPF type

The machines are planned in conformity with the 2006/42/EEC Directive

With

EC markings
 EC declaration of conformity
 Statement report-Fitting for use
 Information for use



INTENDED USE:

Lever winch ATPF type are intended exclusively for lifting free loads in space, vertically, or for towing loads or for tensioning operations.

The use must take place under conditions of controlled efficiency, respecting the measures and limits of use described in the instructions with the use of the authorized type of accessories.

CONSTRUCTION TECHNICAL CHARACTERISTICS:

Supporting structure: deep-drawn sheet steel casing

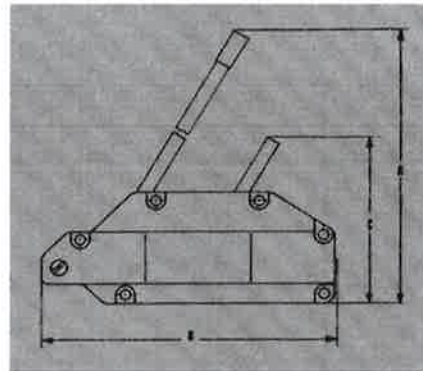
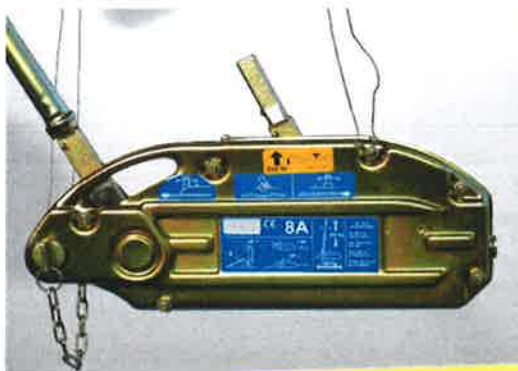
Brake: automatic.

Jaws: in pressed steel

Wire rope: (supplied on request) with steel wires with high flexibility and strength

Hook: (supplied on request) high strength, in pressed steel, with safety snap-hook against unhooking.

Control of the hoist: by manual operation on the telescopic operating lever, equipped with an overload device



CAPACITY		kg	800	1.600	3.200
MODEL			ATPF800	ATPF1600	ATPF3200
Fall of rope	n		1	1	1
Lifting each handle	mm		55	55	43
Size A	mm		850	940	990
Size B	mm		430	550	670
Size C	mm		270	335	385
Net weight (without rope and hook)		kg	8	16	26
PRICE of the Hoist (without rope and hook)		€	ON REQUEST		
PRICE of the rope complete with: winder, hook, thimble, loop and welding	Length m 10	€			
	Length m 20	€			
	Length m 30	€			
	Length m 50	€			